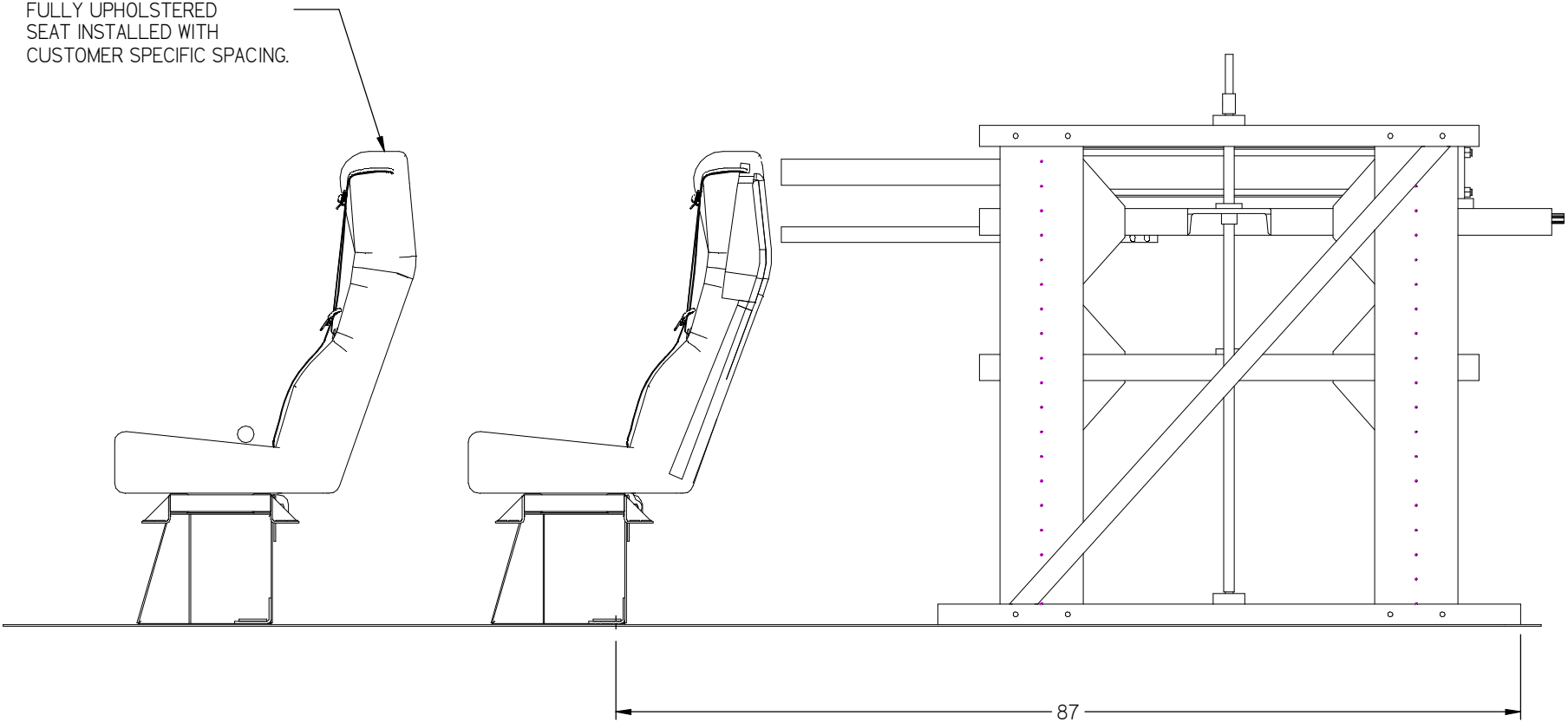



NOT TO BE USED, DISCLOSED OR REPRODUCED WITHOUT PERMISSION.
PROPERTY OF FREEDMAN SEATING COMPANY.

REV.	DATE	ECN	DESCRIPTION	BY	CHKD.	APPD.
------	------	-----	-------------	----	-------	-------

FULLY UPHOLSTERED
SEAT INSTALLED WITH
CUSTOMER SPECIFIC SPACING.

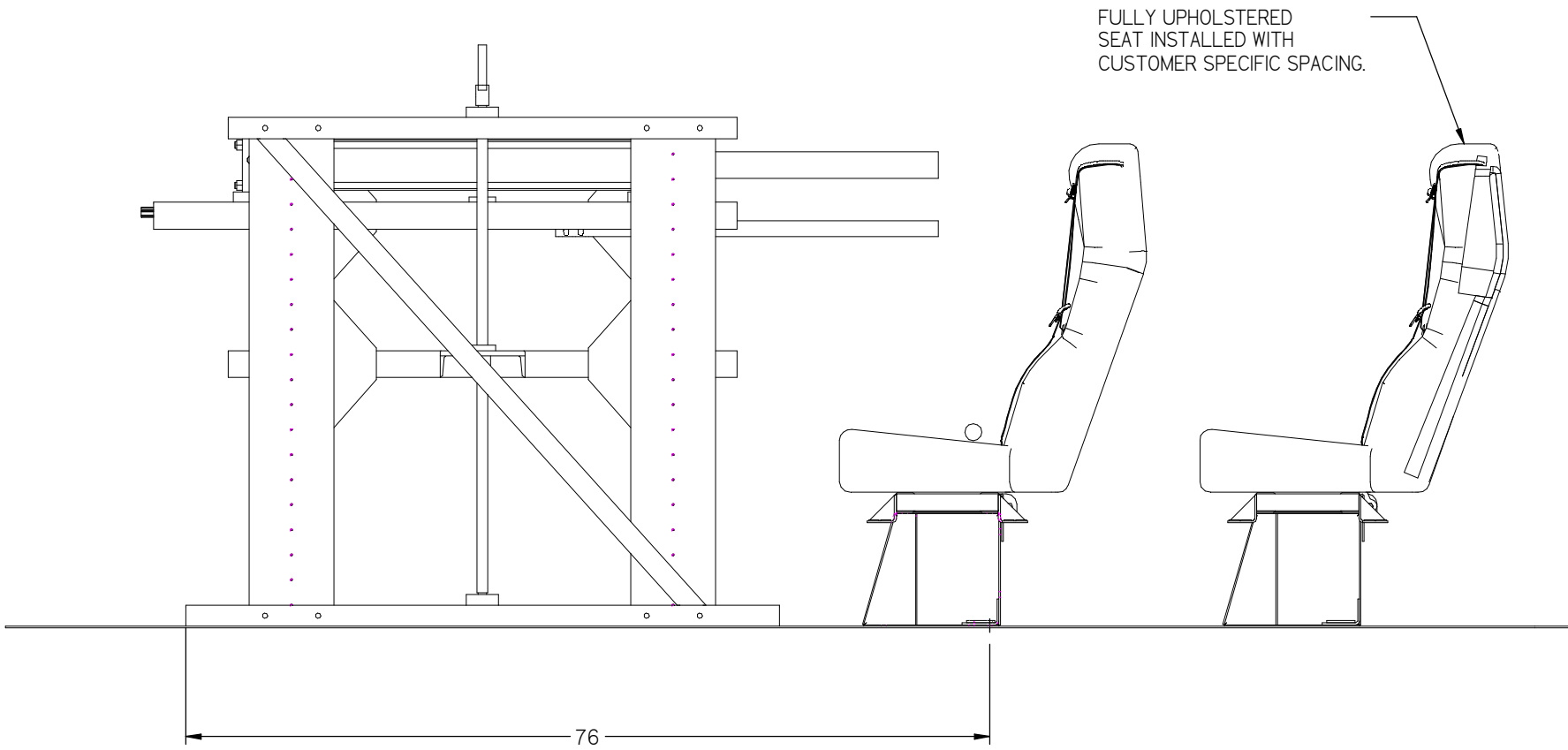


Tolerances Unless Otherwise Specified:
Fraction: 1/8 +/- 1/32"
Decimal: XXX +/- 0.02"
 XXX +/- 0.005"
Angular +/- 1 Degree
Unspecified Radii are 1/8"


DRAWING NAME:		FMVSS 222 STATIC FORWARD		PROJECTION	
MATERIAL:				Freedman Seating Co. 4545 W. Augusta Blvd Chicago, IL 60651	
SPECIFICATION:		Author: _____ REF: _____ SUPERSEDES: _____		DATE: 8/29/2011 CHECKED: _____ APPROVED: _____	
SIZE: C DRAWING No. _____		REV. _____		SHEET: 1 of 1	
SCALE: NOT TO SCALE		B/M		CODE	
ISSUE DATE		REV.		1 of 1	

NOT TO BE USED, DISCLOSED OR REPRODUCED WITHOUT PERMISSION.
PROPERTY OF FREEDMAN SEATING COMPANY.

REV.	DATE	ECN	DESCRIPTION	BY	CHKD.	APPD.
------	------	-----	-------------	----	-------	-------



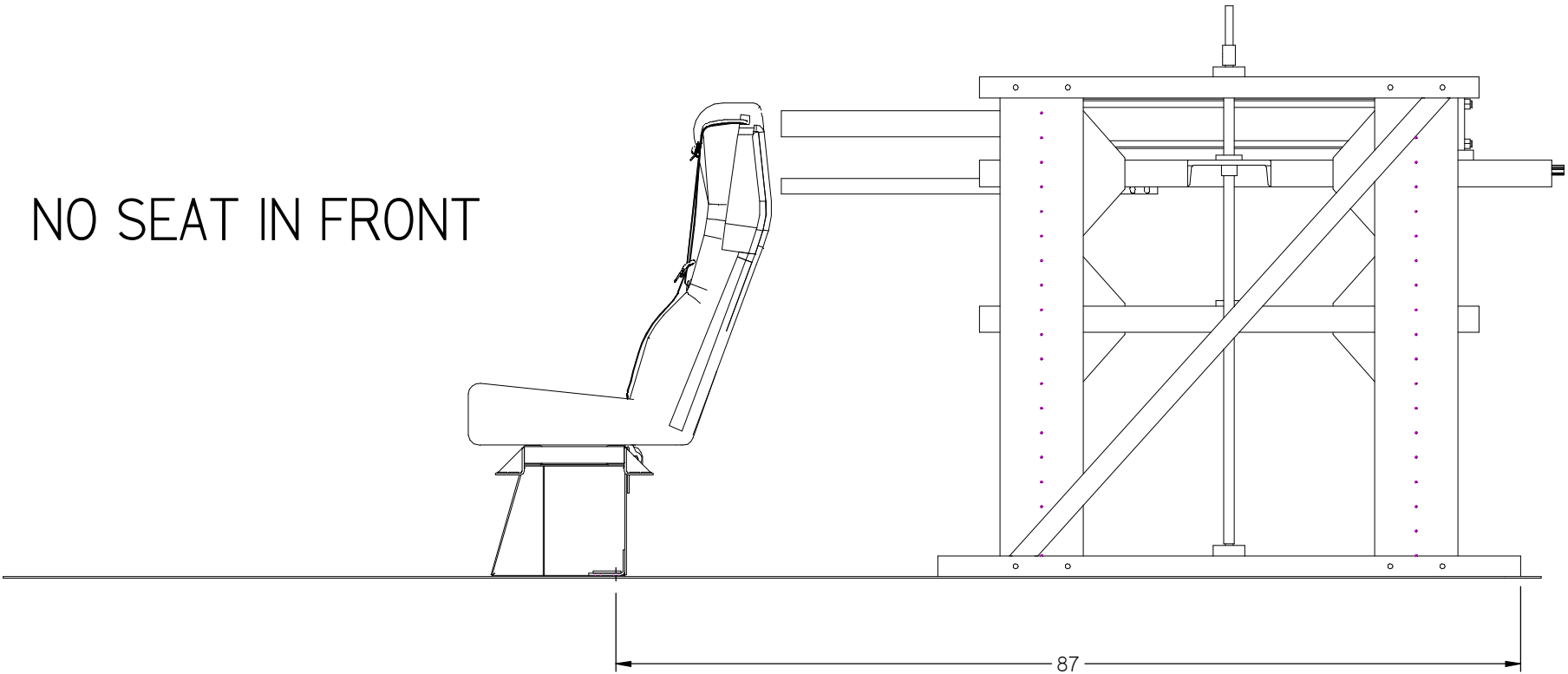
Tolerances Unless Otherwise Specified:
 Fraction: 1/32" +/- 1/32"
 Decimal: XXX +/- 0.02"
 XXX +/- 0.005"
 Angular +/- 1 Degree
 Unspecified Radii are 1/8"

DRAWING NAME:					
FMVSS 222 STATIC REARWARD					
MATERIAL:	 Freedman Seating Co. 4545 W. Augusta Blvd Chicago, IL 60651			PROJECTION	
SPECIFICATION:	Author:	REF.	SUPERSEDES		
	By:	DATE	CHECKED	APPROVED	
	SIZE	DRAWING No.		REV.	
SCALE:	BM	CODE	ISSUE DATE	SHEET	
NOT TO SCALE				1 of 1	


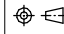
NOT TO BE USED, DISCLOSED OR REPRODUCED WITHOUT PERMISSION.
PROPERTY OF FREEDMAN SEATING COMPANY.

REV.	DATE	ECN	DESCRIPTION	BY	CHKD.	APPD.
------	------	-----	-------------	----	-------	-------

NO SEAT IN FRONT



Tolerances Unless Otherwise Specified:
 Fraction: 1/8 +/- 1/32"
 Decimal: XXX +/- 0.02"
 XXX +/- 0.005"
 Angular +/- 1 Degree
 Unspecified Radii are 1/8"

DRAWING NAME:					
FMVSS 222 QUASI STATIC					
MATERIAL:				PROJECTION 	
SPECIFICATION:	Freedman Seating Co. 4545 W. Augusta Blvd Chicago, IL 60651			SUPERSEDES REF.	
Author:	DATE	CHECKED	APPROVED		
By:	8/29/2011				
SIZE	DRAWING No.		REV.		
C					
SCALE:	BM	CODE	ISSUE DATE	SHEET	
NOT TO SCALE				1 of 1	