

FREEDMAN

SEATING CAREGIVER

SAFETY FOR ALL PASSENGERS

Standard 3PT seat belts with optional ICS (Integrated Child Seat) and/or CRS (Child Restraint System) for children



ICS Integrated Child Seat
FMVSS compliant

Not Just Seats



THE FEATHER WEIGHT SERIES BY

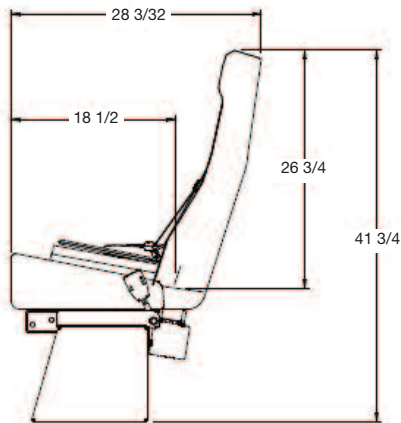
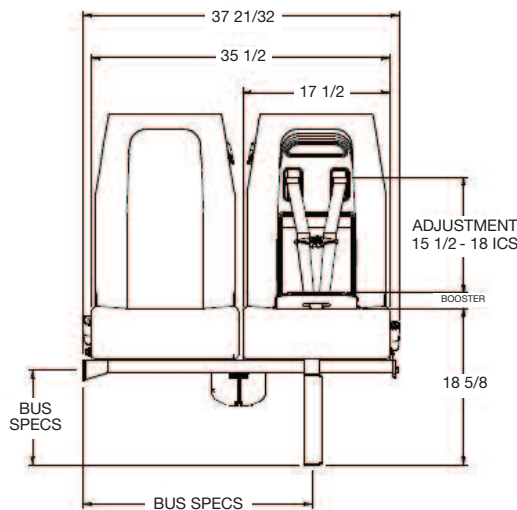
FREEDMAN
SEATING COMPANY

Seating Solutions™

FREEDMAN



3PT seat belts



SEATING CAREGIVER

Safety for all passengers. Standard 3PT seat belts with optional ICS (Integrated Child Seat) and/or CRS(Child Restraint System) for children.

The newly upgraded Caregiver seat is designed for a comfortable, safe ride for both children and guardians. 3PT seat belts have been added for adults, while the optional ICS is available for children from 22-78 lbs. A tapered back provides unrestricted viewing for drivers, and best of all, the shoulder belts can be adjusted in seconds without taking the seat apart, avoiding clumsy operations.

Standard Features:

- Accommodates children 22–78 lbs
- Standard 3-point seat belts with FMVSS 207 and 210 seat belt anchorage compliance
- Fits where most 3PT seats were placed
- Use existing GO, GO-ES, or 3PT legs

Options:

- Available in a wide variety of vinyls and cloths
- Upholstered or US Arms
- Adjustable footrests
- Available as a single or double
- Optional Integrated Child Seat (ICS) accommodates children 22-78 lbs with FMVSS 213 Compliance
 - Fold down tongue can be folded to act as a booster seat
 - Easily adjustable ICS shoulder straps
- Optional Child Restraint System (CRS) with FMVSS 225 Compliance

Not Just Seats



Seating Solutions™

THE FEATHER WEIGHT SERIES BY
FREEDMAN
SEATING COMPANY

4545 W. Augusta Blvd., Chicago, IL 60651
(773)524-2440 (800)443-4540 Fax (773)252-7450
WWW.FREEDMANSEATING.COM
e-mail: info@freedmanseating.com



Freedman Seating is committed to lessening our impact on the planet. For your convenience, materials are now available online to download at www.freedmanseating.com.

We are constantly updating and improving our seats; therefore we reserve the right to change or modify specifications or materials without notice. All Freedman Seating Company seats meet or exceed FMVSS standards.