

# FREEDMAN

# The Ritz

When your customers want the most comfortable ride available, put them in the Ritz. Ultra plush cushions and tufting make the Ritz Seat perfect for any limo-bus, high-end shuttle or executive coach. Freedman Quality makes it right for every bus.



Not Just Seats

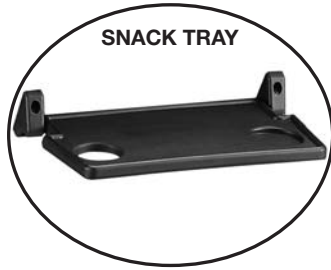
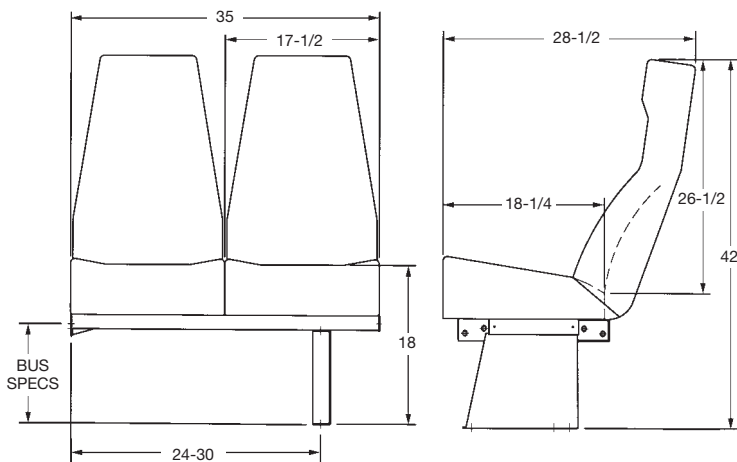


Seating Solutions™

**FREEDMAN**  
SEATING COMPANY

# FREEDMAN

# The Ritz



Let every rider sit in First Class with the Freedman Seating Ritz Seat. Soft, luxurious and elegant, are just a few words that come to mind when describing the Ritz. Designed to fit most any type of vehicle, the Ritz is available as a rigid or recliner and matches the Freedman Seating Salon Seat. While 17½" is standard, it can also be ordered in any of three custom widths, 16", 18" and 19" for wider buses.

#### Standard Features:

- Bolstered high quality polyurethane seat and back cushions for comfort and support
- Wire mesh-grid seat springs for even support
- FMVSS 210 compliance
- Covers that can be removed and replaced easily without the use of special tools
- Coordinating map pocket (made from the seat trim material)

#### Options:

- Upholstered Ritz flip-up arm
- Snack trays
- Aluminum footrests
- U.S.R.-Under Seat Retractors
- Regular lap or retractable seat belts
- Side sliders
- CRS-225 hooks and tethers
- Cup holders
- Seat belt loops
- 16", 18" and 19" wide seat cushions
- Rigid or reclining backrests
- Wide variety of cloths, vinyls and leather
- MP3 (iPod) holder sewn into the armrest

Not Just Seats



Seating Solutions™

**FREEDMAN**  
SEATING COMPANY

4545 W. Augusta Blvd., Chicago, IL 60651  
(773)524-2440 (800)443-4540 Fax (773)252-7450  
WWW.FREEDMANSEATING.COM  
e-mail: sales@freedmanseat.com

We are constantly updating and improving our seats; therefore we reserve the right to change or modify specifications or materials without notice. All Freedman Seating Company seats meet or exceed FMVSS standards.