

# FREEDMAN

# SEATING ICS

*(Integrated Child Seat)*

## KIDS & SAFETY

**WHAT COULD  
BE MORE  
IMPORTANT?**

Also available  
the ICS-10,  
for children  
up to 10 years old.



Not Just Seats



Seating Solutions™

THE FEATHER WEIGHT SERIES BY

**FREEDMAN**  
SEATING COMPANY

an ISO 9001:2000 certified company

# FREEDMAN

# SEATING ICS

## (Integrated Child Seat)



Kids and safety, what could be more important? Nothing!

That's the underlying principle behind the Freedman ICS (Integrated Child Seat) and ICS-10.

The ICS is designed for children from 22–51 lbs. and the ICS-10 can accommodate children up to 10 years old, 22–78 lbs. Both ICS seats are comfortable for adults and safe for children.

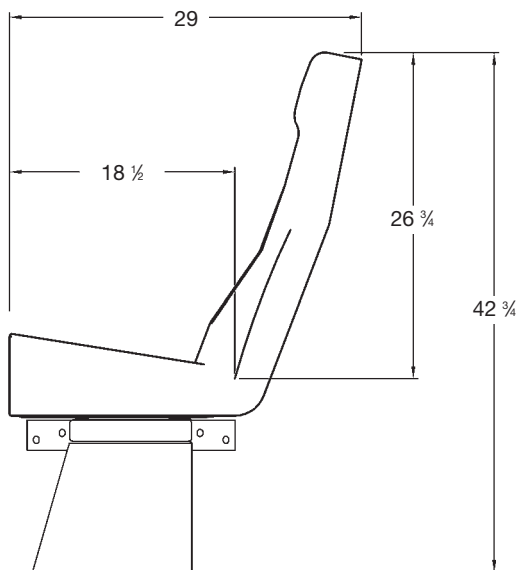
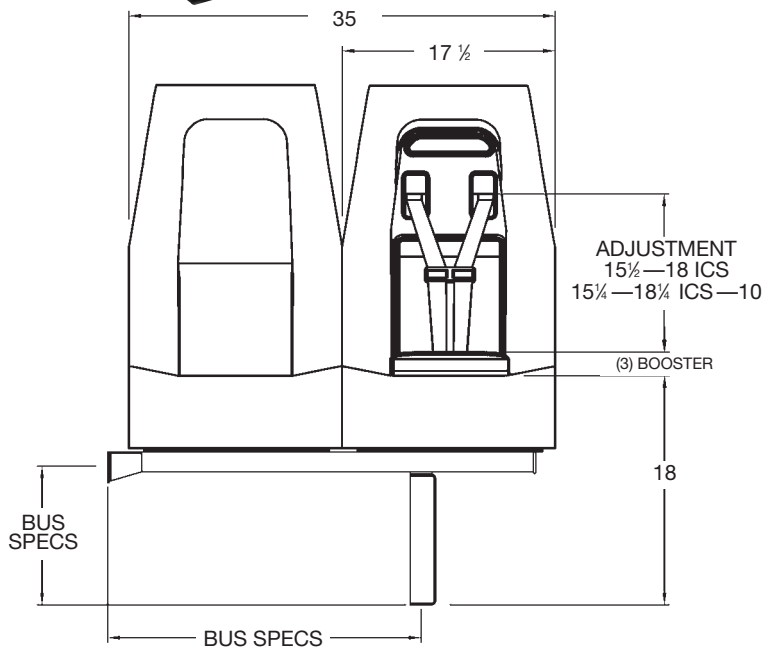
A tapered back provides unrestricted viewing for drivers, and best of all, the shoulder belts can be adjusted in seconds without taking the seat apart or clumsy operations.

### Standard Features:

- Accommodates children 22–51 lbs. (22–78 lbs for the ICS-10)
- Matching companion seat available
- Fold down tongue can be folded to act as a booster seat
- Easily adjustable shoulder straps
- Standard with FMVSS 213 and 210 seat belt anchorage compliance
- Retrofittable; Fits on most Feather Weight frames!

### Options:

- Available in a wide variety of vinyls and cloths
- Upholstered or US Arms
- Adjustable footrests
- Freedman USR (Under Seat Retractor)
- Available as a single or double
- Grab rails



## Not Just Seats



THE FEATHER WEIGHT SERIES BY

**FREEDMAN**  
SEATING COMPANY

4545 W. Augusta Blvd., Chicago, IL 60651  
(773) 524-2440 (800) 443-4540 Fax (773) 252-7450  
WWW.FREEDMANSEATING.COM  
e-mail: sales@freedmanseat.com

We are constantly updating and improving our seats; therefore we reserve the right to change or modify specifications or materials without notice. All Freedman Seating Company seats meet or exceed FMVS standards.

Seating Solutions™