

FREEDMAN

The Diabolo

TRANSIT COLLECTION



Not Just Seats



Seating Solutions™

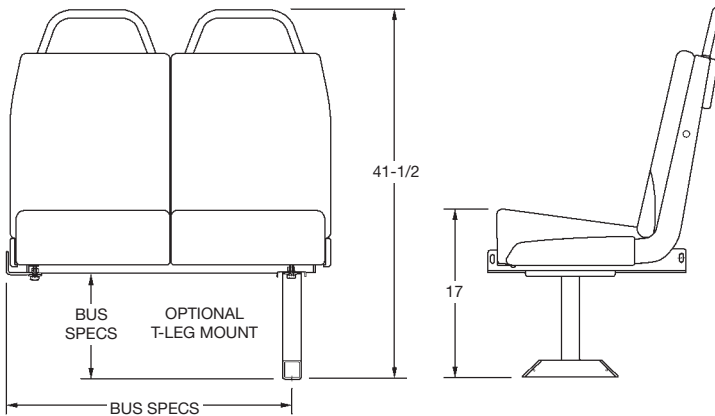
FREEDMAN
SEATING COMPANY

FREEDMAN

The Diablo

TRANSIT COLLECTION

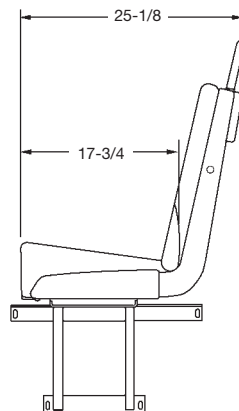
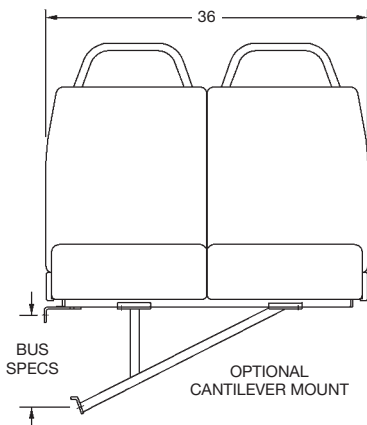
The Diablo



The Diablo Flip



Optional stainless steel grab handle



The Diablo by Freedman Seating was created for bus operators and manufacturers looking for a tested and proven seat design at a better price. The Diablo's strength, comfort, safety, and value are second to none. It also makes an excellent choice for rail applications. Every Diablo comes with the service, on time delivery and after-the-sale support bus builders, distributors and operators have come to expect from Freedman Seating Company.

Comfort

The Diablo also has something you don't expect in a transit seat...comfort. Each seat is made with the rider in mind. The Diablo is the perfect seat for medium distance trips and can be upholstered in any vinyl or fabric.

Construction and Features:

- The Diablo is manufactured with a high quality molded thermoplastic back, which is recessed for additional hip to knee room.
- Fatigue resistant, reinforced jig welded steel tubing frames.
- Individually upholstered cushions are supported by arched serpentine springs for long life.
- Seat and back cushions can be easily removed for cleaning or replacement.
- The "T" leg and or cantilever frame can be made of powder-coated cold rolled carbon or stainless steel.
- The base frame can be customized to accommodate most any wall track or mounting system.

Options:

- Energy absorbing thermoplastic or stainless steel grab handles
- FTA (low smoke docket 90 foam) or HR polyurethane per FMVSS 302
- Your choice of vinyl, or fabric (polyester, olefin or wool)
- Flip seats (forward or aisle facing)
- Hinged rear row seats

Not Just Seats



Seating Solutions™

FREEDMAN
SEATING COMPANY

4545 W. Augusta Blvd., Chicago, IL 60651
(773) 524-2440 (800) 443-4540 Fax (773) 252-7450
WWW.FREEDMANSEATING.COM
e-mail: sales@freedmanseat.com

We are constantly updating and improving our seats; therefore we reserve the right to change or modify specifications or materials without notice. All Freedman Seating Company seats meet or exceed FMVS standards.